

GLIMPFROB®

SILVERLINE

INDUSTRIAL

SHELF UNIT

Model No CSL5400

Thank you for purchasing this CLARKE Multi Shelf Unit.

Please read this leaflet thoroughly before assembly to familiarise yourself with the components. In doing so you will ensure it is correctly assembled and you can then look forward to it giving you long and satisfactory service.

It is not recommended that the shelf unit is used in damp conditions, as this could ultimately weaken the chipboard shelves.

Always load the shelves evenly

GUARANTEE

This CLARKE product is guaranteed against faulty manufacture for a period of 12 months from the date of purchase. Please keep your receipt as proof of purchase. This guarantee is invalid if the product is found to have been abused or tampered with in any way, or not used for the purpose for which it was intended.

Faulty goods should be returned to their place of purchase, no product can be returned to us without prior permission. This guarantee does not effect your statutory rights.

Clarke

INTERNATIONAL

Hemnell Street, Epping, Essex, CM16 4LG. Tel: 01992 565300

GLIMPFROB®

SILVERLINE

INDUSTRIAL

SHELF UNIT

Model No CSL5400

Thank you for purchasing this CLARKE Multi Shelf Unit.

Please read this leaflet thoroughly before assembly to familiarise yourself with the components. In doing so you will ensure it is correctly assembled and you can then look forward to it giving you long and satisfactory service.

It is not recommended that the shelf unit is used in damp conditions, as this could ultimately weaken the chipboard shelves.

Always load the shelves evenly

GUARANTEE

This CLARKE product is guaranteed against faulty manufacture for a period of 12 months from the date of purchase. Please keep your receipt as proof of purchase. This guarantee is invalid if the product is found to have been abused or tampered with in any way, or not used for the purpose for which it was intended.

Faulty goods should be returned to their place of purchase, no product can be returned to us without prior permission. This guarantee does not effect your statutory rights.

Clarke

INTERNATIONAL

Hemnell Street, Epping, Essex, CM16 4LG. Tel: 01992 565300

These Clarke Shelf Units require no screws or fixings for assembly, providing easy and rapid installation - and reconfiguration when required.

The steel frame allows for shelf height adjustment every 39mm, providing excellent versatility.

The shelves are manufactured from 10mm thick, high density chipboard.

CAUTION!

The MAXIMUM safe working load of each shelf is 265kg

ASSEMBLY

Lay out and identify all components.

It is necessary to bend the tabs at the ends of the five centre supports item 4 at right angles prior to any assembly. This is carried out by inserting the tab fully into the tab housing in one of the front/rear beams (3), and bending it at right angles as shown in the illustration below.

Attach the bottom front/rear beams (3) and side beams (2) to the uprights (1) at an appropriate height. Using a mallet and piece of wood, as shown, gently tap them home.

The shelf rests should be uppermost.

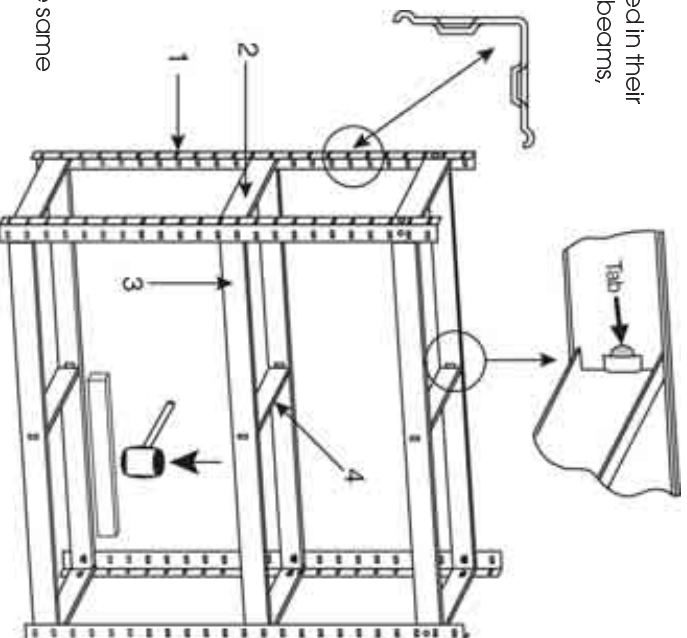
When all four beams are fitted, attach the centre support (4).

With the tabs fully engaged in their housings in the front/rear beams, carefully using a flat bladed screwdriver, lever out the tabs sufficiently, to prevent them from pulling out again.

Install bottom shelf before going any further.

Select the next shelf position and assemble as with bottom shelf; again ensure shelf is fitted before continuing with the third shelf position.

Assemble the third and subsequent shelves in the same manner.



These Clarke Shelf Units require no screws or fixings for assembly, providing easy and rapid installation - and reconfiguration when required.

The steel frame allows for shelf height adjustment every 39mm, providing excellent versatility.

The shelves are manufactured from 10mm thick, high density chipboard.

CAUTION!

The MAXIMUM safe working load of each shelf is 265kg

ASSEMBLY

Lay out and identify all components.

It is necessary to bend the tabs at the ends of the five centre supports item 4 at right angles prior to any assembly. This is carried out by inserting the tab fully into the tab housing in one of the front/rear beams (3), and bending it at right angles as shown in the illustration below.

Attach the bottom front/rear beams (3) and side beams (2) to the uprights (1) at an appropriate height. Using a mallet and piece of wood, as shown, gently tap them home.

The shelf rests should be uppermost.

When all four beams are fitted, attach the centre support (4).

With the tabs fully engaged in their housings in the front/rear beams, carefully using a flat bladed screwdriver, lever out the tabs sufficiently, to prevent them from pulling out again.

Install bottom shelf before going any further.

Select the next shelf position and assemble as with bottom shelf; again ensure shelf is fitted before continuing with the third shelf position.

Assemble the third and subsequent shelves in the same manner.

